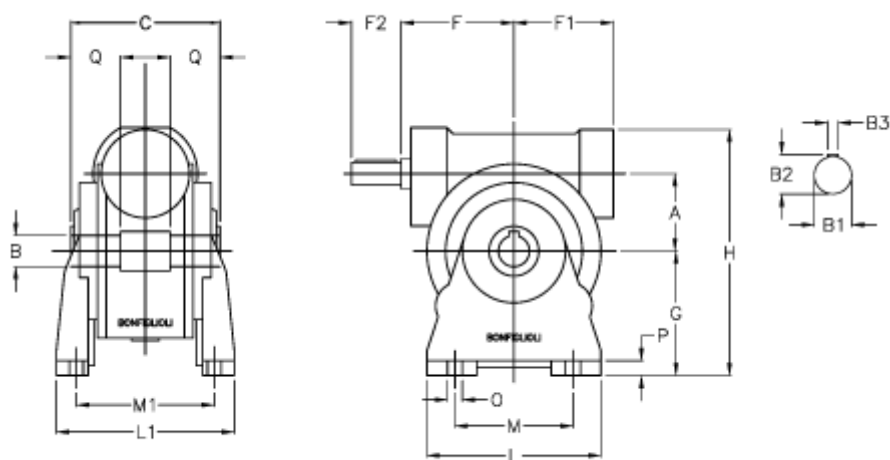


Article number: 3901210015200

Description: Worm gear with solid input shaft  
VF 210A-15-HS

## Measures



|                             |         |            |          |
|-----------------------------|---------|------------|----------|
| a                           | = 210.0 | F1 = 277   | P = 25   |
| B                           | = 90    | g = 335    | Q = 85.0 |
| B1 E7                       | = 48    | H = 665    |          |
| B2                          | = 51.5  | L = 440    |          |
| B3 H9                       | = 14    | L1 = 320   |          |
| C                           | = 260   | m = 340    |          |
| Description = VF 210A-xx-HS |         | M1 = 265.0 |          |
| F                           | = 230.0 | O = 26.0   |          |